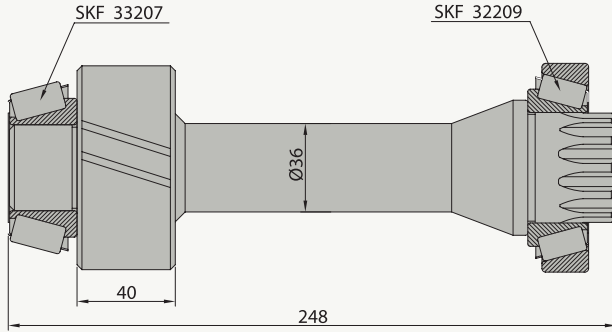
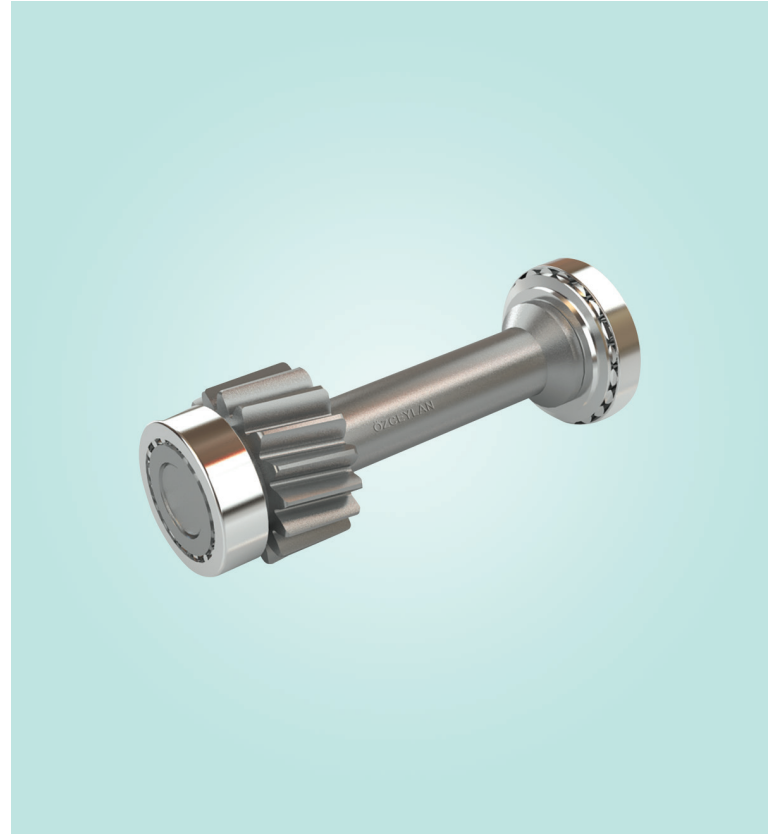


**TEKNİK ÇİZİM / TECHNICAL DRAWING**

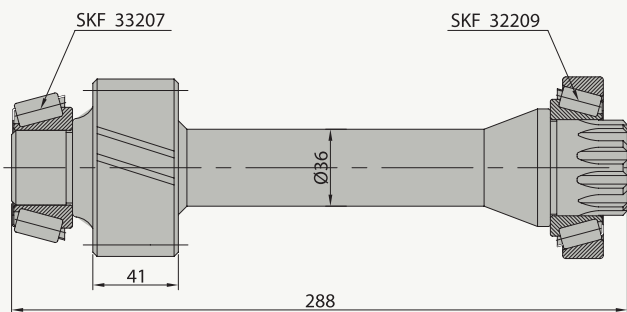


**KULLANILAN ARAÇLAR / USED CARS**

MERCEDES 2521, 2524, 3224  
BMC PRO 617, 620, 622, 822  
FORD CARGO 1824, 2524, 2524D  
FARGO 19-260, 26-260, 26-265, 32-260  
DAF 823, 923



**TEKNİK ÇİZİM / TECHNICAL DRAWING**



**KULLANILAN ARAÇLAR / USED CARS**

MAN 17 232, 18 220, 19 230, 19 270, 19 340, 19 360, 25 270, 26  
230, 26 342, 26 270, 32 270 - BMC PRO 827, PRO 832, 270, 280,  
S18, S21, S24, S29, S31, STEYR 270 - FATİH 270 26 - DAF 75 270,  
75 30 - FORD CARGO 1827, 2527, 2530, 2626, 3226, 3227C, 3240,  
4030, 4050 - RENAULT 320 32, 370 PREMIUM AS

